

Instruction Manual

ClickitUp®



ClickitUp®
by ErgoSafe®

Contents

Safety	3
Reception - unloading	3
Installation	4
Preparations prior to installation	4
Installation	5
Technical specification	7
Use	7
Warranty	8
Troubleshooting	8
Dismantling	8
EC declaration of conformity	9

Safety

GLASS

The glass is safety glass - toughened.

GAS STRUT

The gas strut moves slowly to its end position when it is dismantled from the frame.

Note!

- In heavy winds it is recommended that ClickitUp® is in the lowered position.
- There is a crush risk when raising and lowering the glass between the lower edge of the glass and the front track in the aluminium profile. Children must NOT be in the vicinity of ClickitUp® when it's moving, except in the company of an adult.

Reception - unloading

ON DELIVERY

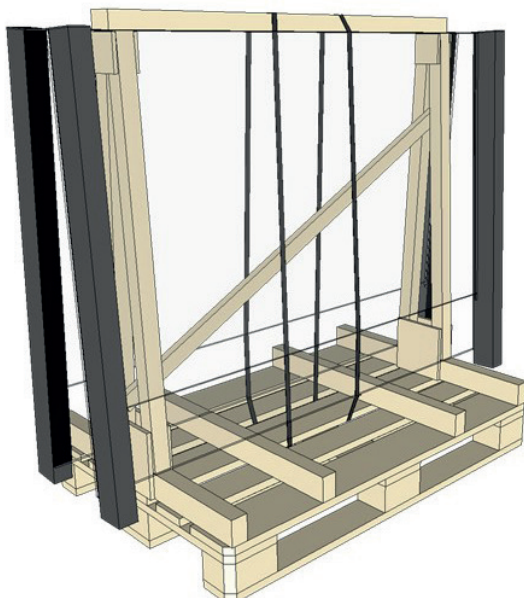
A delivery inspection of ClickitUp® must be performed in order to discover and transport damage or other defects on the packaging and/or product. Any delivery damage must be noted on the shipping company's consignment note and ErgoSafe must be notified at the latest one week after receipt of the delivery. Thereafter, it is not possible to cite discrepancies regarding the delivery of ClickitUp®.

UNLOADING FROM PALLETS

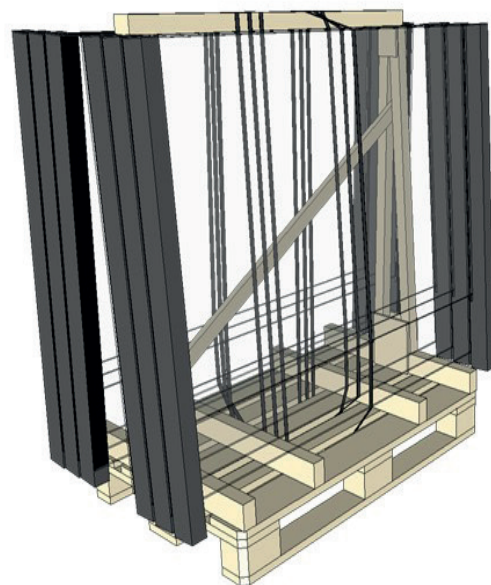
Note that unloading must be performed in a specific order, otherwise personal injury can occur.

There is also a risk of product damage. Set the pallets on a flat surface.

1. Start by removing the packaging plastic
2. Then lift off the sections that are to be installed from pallets
3. Remember to secure the sections remaining on pallets so these do not fall

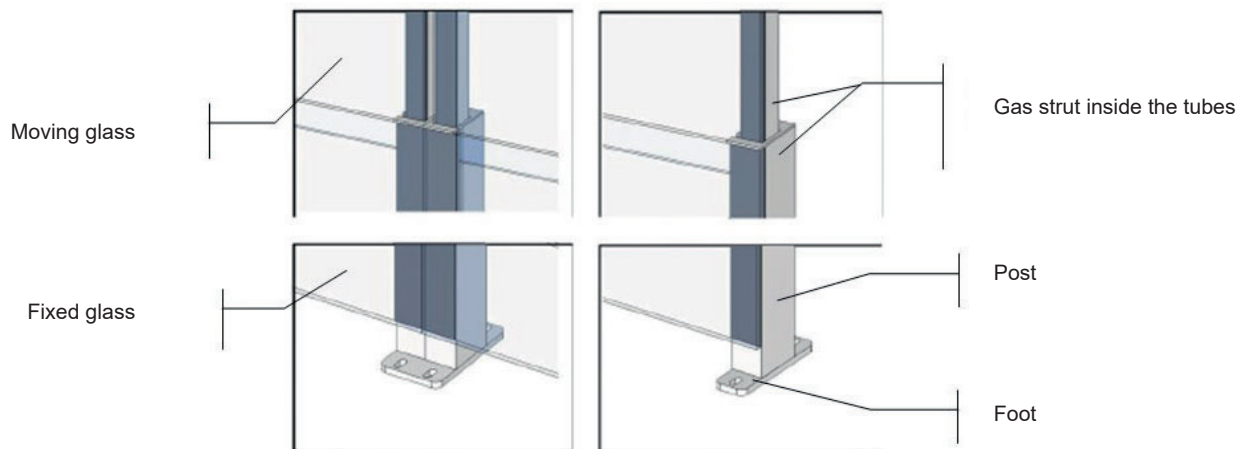


Each section is individually secured on the packaging to prevent ClickitUp® from falling during unloading.



Loosen the straps gradually as ClickitUp® sections are installed. Each package can hold up to 6 sections of ClickitUp®.

Installation



Preparations prior to installation

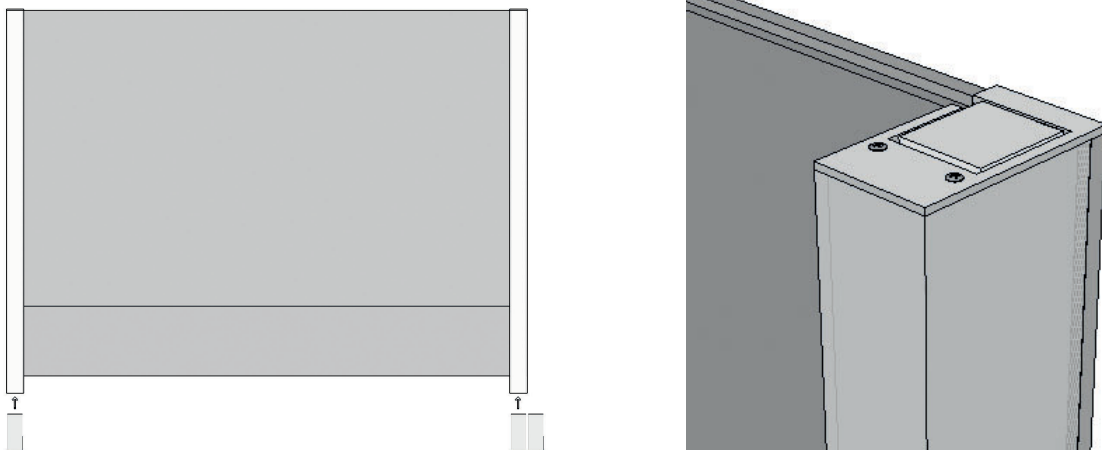
Below follows a description of what is important to remember when installing ClickitUp®. Read through the manual before starting to install ClickitUp®

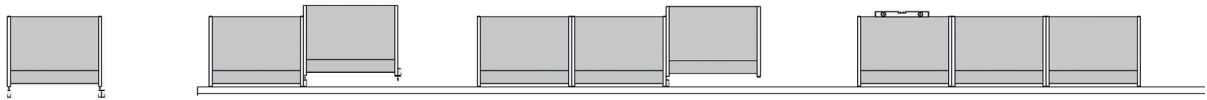
Each ClickitUp® section is delivered ready-assembled. Sections are linked together to form a system with the help of double cover caps and double baseplate mounts.

The substrate must be dimensioned according to applicable standards. When fastening to concrete, ClickitUp® must be installed with sheet rubber against the concrete surface.

ClickitUp® is delivered complete with cover caps and baseplate mounts, single or double depending on what is specified on the order. During transport the section/sections are fitted with transport cover caps. It is important that the moving parts on ClickitUp® are not released without cover caps, i.e. the transports cover caps are not replaced by permanent cover caps until the section has been installed. If ClickitUp® needs to be dismantled during the winter, for example, at restaurants, the cover caps must be on. If winter storage comes into question, the transport caps must be saved.

Single cover cap with 2 screws



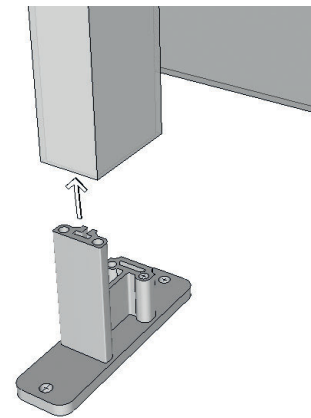


Installation

1. Install the first section

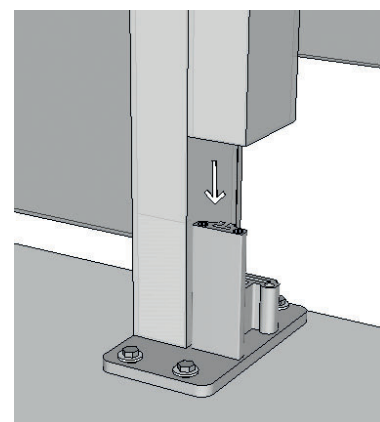
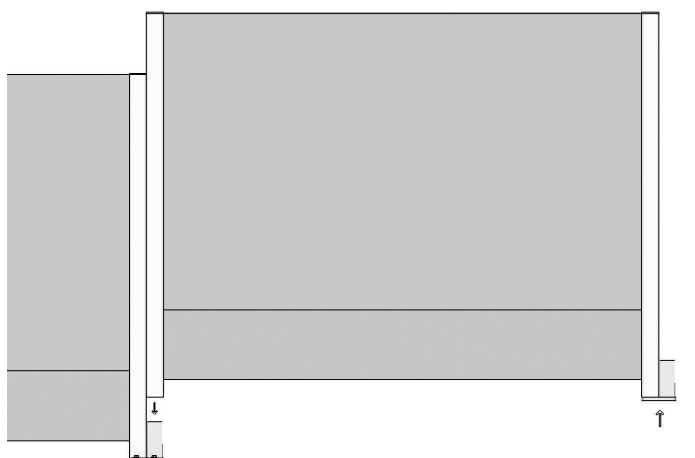
Set out a straight line where ClickitUp[®] is to be installed. Note that if the ground slopes the posts will be in their bottom position at the ground's highest point. Any adjustments are made as per figure 3. If corners are to be installed, start with this. Place the first section on the baseplate mounts. Use the fastening fittings on the baseplate mounts that are designed for the glass balustrades substrate. ErgoSafe encourages ClickitUp[®] to be fastened to a stable substrate, concrete or timber joists.

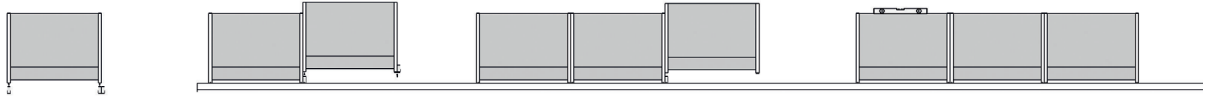
Once the first section is in position, prepare single/double mounts for the next section.



2. Install all sections

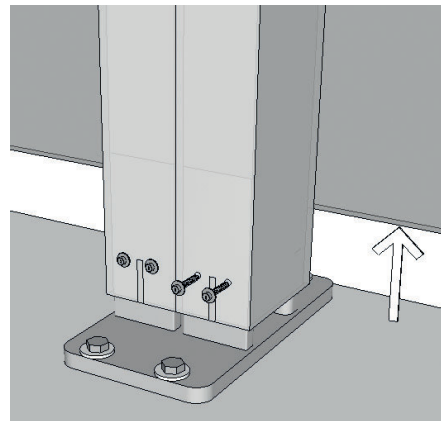
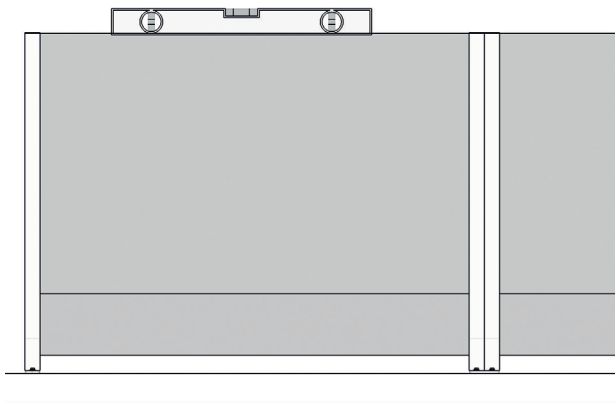
Set out the other sections. Continue as per the same principle until all sections are in position.





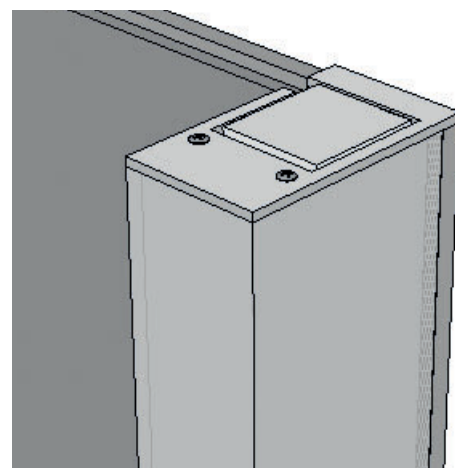
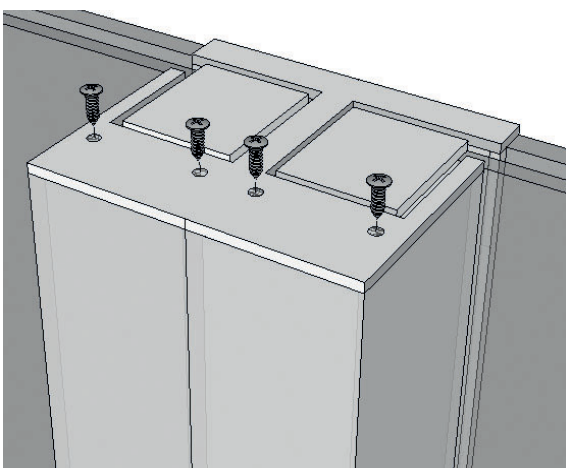
3. Adjust the height and fit the cover cap

Install level. Use a suitable tool, e.g. a spirit level. Screws are included for fastening sections.



4. Fitting permanent caps

Now to the finish of the ClickitUp[®] installation. Place and replace the transport caps with permanent cover caps, single or double. Exercise care to align the cover cap with the outer edges of the post profile.



Technical specification

Description	Height adjustable glass balustrade
Safety	ClickitUp [®] is tested and CE marked according to EN-1090 and the Machinery directive 2006/42/EC
Manufacturing method	Structural glazing is used to fit the glass to the aluminium posts
Drive mechanism	The system employs semi-automatic gas strut technology that balances the movable section
Baseplate mounts	As standard there are baseplate mounts which are double, single and side baseplate mounts.
cover caps	cover caps are available as double and single mounts
Material	Glass, aluminium and stainless steel
Glass	Toughened glass 8 mm in the fixed section/Toughened glass 6 mm in the moving section
Heights	1100 mm/ 1900 mm or 1200 mm/2000 mm
Width straight section	Max 2000 mm
Surface treatment	Natural anodised as standard. As an option at an additional charge, black anodised or powder coated in a RAL colour (only fixed posts)
Sound values	An installed ClickitUp [®] in the raised position has a sound dampening effect

Use

OPERATION

A fixed lower glass and a moving upper glass together form ClickitUp[®].

The upper moving part of the glass balustrade is balanced by gas struts with a semi-automatic function. To lock the moving glass, this is pressed down by hand to the lowest position. Press down the glass yet further once releases the lock function and the glass moves slowly upwards. The force of the gas struts is influenced by external factors such as friction and temperature and the moving glass may need help to reach the upper position. If you do not intend to use ClickitUp[®] for long periods, it should be lowered.

Note!

Watch your fingers, there is a crush risk between the lower edge of the glass and the milled track in the aluminium profile. Children must not be in the vicinity of ClickitUp[®] when it's moving, except in the company of an adult.

MAINTENANCE

When the product is installed outdoors, you should check the glide plane and end position to ensure these are not obstructed. Rinse off with water if the external environment permits this. When the system has not been used for some time, you may need to press it up and down a few times and possibly lubricate some glide surfaces with a dry PTFE based glide film. In order for stainless steel details (the cover cap) to maintain their appearance they should be polished annually.

Warranty

In order for the warranty to be valid the conditions A-C must be met:

A: When invoking the warranty, the seller must be contacted to assess the complaint with regard to the warranty. The seller must confirm that the fault is of such a nature that it is covered by the warranty. All interventions or measures on the product that do not go through ErgoSafe's complaints department invalidate the warranty and are entirely the responsibility of the person who has performed or ordered the work.

B: When invoking the warranty, the product's serial number must be stated as well as any pictures that clarify what is being claimed on the warranty.

C: When exchanging parts, these must unconditionally be returned to the seller. If this does not occur, the customer loses the right to warranty compensation.

The warranty does not cover: Incorrect installation or a settlement in the ground or timber structure.

Troubleshooting

The glass does not move all the way up. This can occur after a storm or settlement in the ground.
Measure: Lift up by hand.

The glass cannot be moved all the way down to the bottom.
Measure: Remove anything that may cause an obstruction, dirt or the like.

Balancing of the glass does not work.
Measure: Return the gas strut.

The block protrudes on one side.
Measure: none. This is the result of one of the gas struts in one of the tubes not being equipped with a "click" function and this will therefore push itself upwards, thus the possible variation in height. Not a fault but is a part of the design.

Dismantling

When dismantling ClickitUp® the glass balustrade must be in the lowered position with the cover cap fitted.

Note!

Risk of crushing

When the section is dismantled, the balance cylinder can move. Secure the glass using a plastic strap or the like that prevents this.

Note!

Risk of cuts

Exercise care when handling glass. The product consists of thermally tempered glass that, in the event of incorrect handling, can break and cause injuries.

MATERIAL RECYCLING

All metals are sorted in containers for metal.

- 8 Plastic and rubber are sorted as inflammable materials.
- Glass is sorted as filling material.

EC conformity declaration

(Referred to 2006/42/EG, Annex 2A)

Manufacturers:

Company name: ErgoSafe AB
Address: Reparatörgatan 1, 302 62 Halmstad
Representative: Fredrik Johansson, CEO
Document no:

Authorised person:

Name: Fredrik Johansson, CEO
Company name: ErgoSafe AB
Address: Reparatörgatan 1,
SE-302 62 Halmstad

Hereby declare that the machine

ClickitUp[®]

comply with all applicable legal provisions in the Machinery Directive 2006/42/EG

The following directives have been implemented:
2006/42/EG (the Machinery Directive)

The following harmonizing standards have i.a. applied:
SS-EN ISO 12100:2010 (Safety of machinery, general principles for design, risk assessment and risk reduction)

Halmstad 2016-12-21



Fredrik Johansson, CEO







FLEXIBLE GLASS SOLUTIONS

ErgoSafe AB | Reparatörgatan 1 | SE-302 62 Halmstad | +46 (0)10-480 47 00 | www.ergosafe.se